

DVP04AD-E2

INSTRUCTION SHEET

安裝說明 安装说明

- ▲ *Analog Input Module*
- ▲ 類比輸入模組
- ▲ 模拟量输入模块

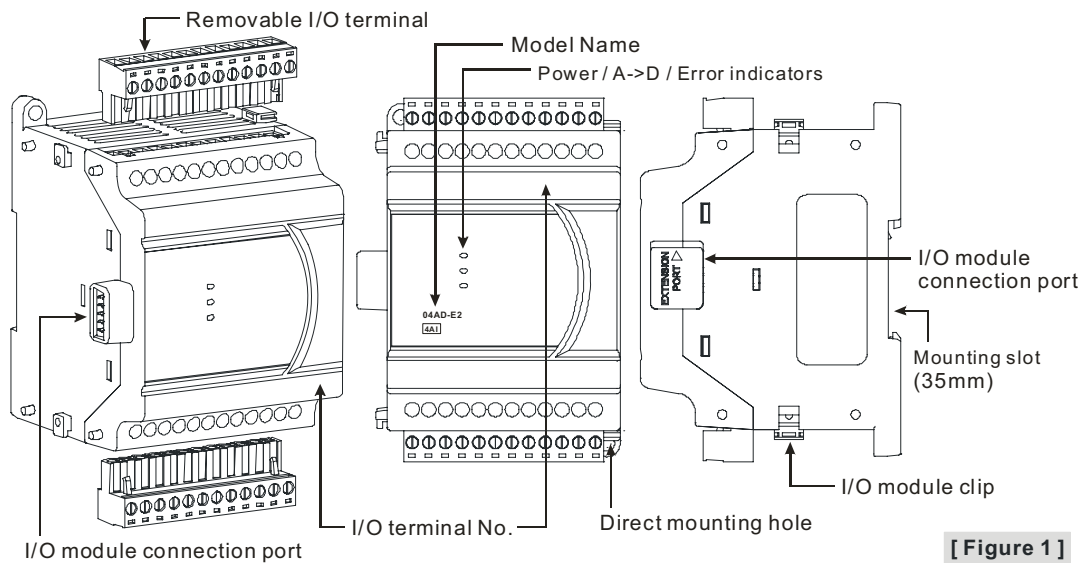


<http://www.delta.com.tw/industrialautomation>

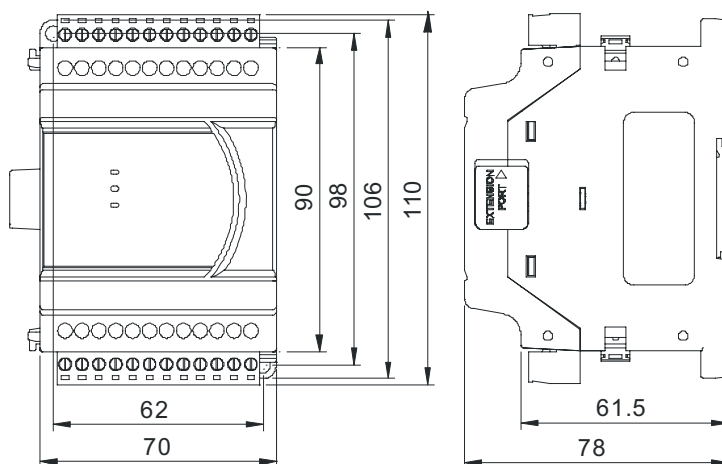
Thank you for choosing Delta's DVP series PLC. DVP04AD-E2 analog input module receives external 4 points of analog input signals (voltage or current) and converts them into 16-bit digital signals. You can select voltage input or current input by the wiring. In addition, you can access the data in the module by applying FROM/TO instructions or read the average value of channels directly by using MOV instruction (Please refer to allocation of special registers D9900 ~ D9999).

- ✦ This instruction sheet provides only information on the electrical specification, general functions, installation and wiring. For detailed program design and applicable instructions, please refer to "DVP-ES2 Operation Manual: Modules". For details of the optional peripheral, please refer to the instruction sheet enclosed in the package.
- ✦ This is an OPEN TYPE I/O module and therefore should be installed in an enclosure free of airborne dust, humidity, electric shock and vibration. The enclosure should prevent non-maintenance staff from operating the device (e.g. key or specific tools are required for operating the enclosure) in case danger and damage on the device may occur.
- ✦ DO NOT connect the input AC power supply to any of the I/O terminals; otherwise serious damage may occur. Check all the wiring again before switching on the power. Make sure the ground terminal \oplus is correctly grounded in order to prevent electromagnetic interference.

Product Profile & Dimension



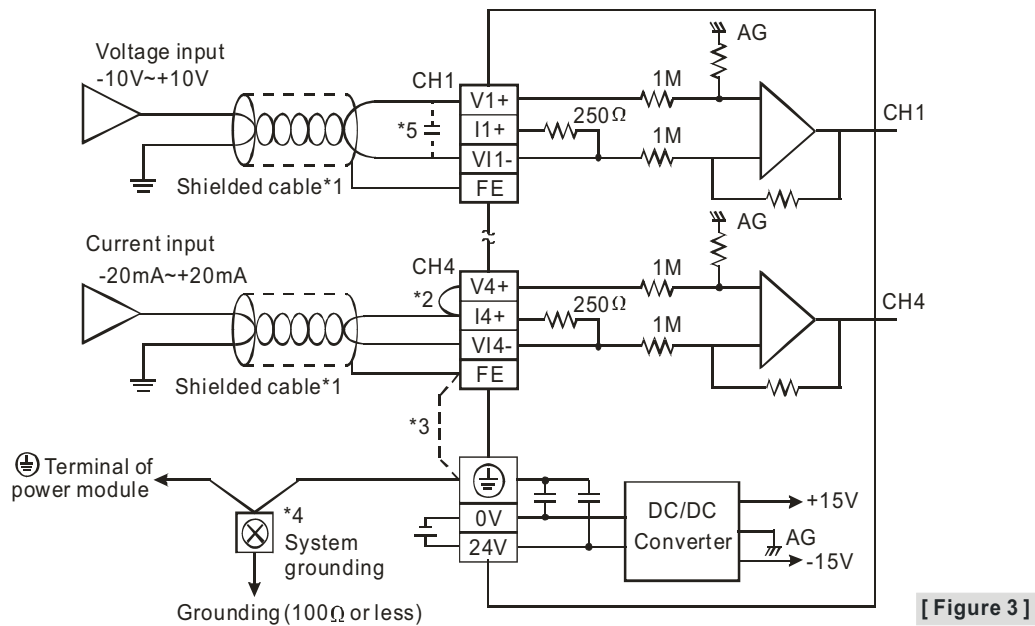
[Figure 1]



[Figure 2]

Unit: mm

External Wiring



[Figure 3]

Note 1: When performing analog input, please isolate other power wirings.

Note 2: When the A/D module is connected to current signals, make sure you short-circuit “V+” and “I+” terminals.

Note 3: If the noise is too significant, please connect FE to the grounding terminal.

Note 4: Please connect the \oplus terminal on both the power module and A/D module to the system earth point and ground the system contact or connect it to the cover of power distribution cabinet.

Note 5: If the ripples at the loaded input terminal are too significant that causes noise interference on the wiring, connect the wiring to 0.1 ~ 0.47 μ F 25V capacitor.

I/O Terminal Layout

| | | | | | | | | | | | |
|-------------------------|-----|----------|----|-----|-----|-----|----|-----|-----|-----|----|
| V1+ | I1+ | V1- | FE | V2+ | I2+ | V2- | FE | V3+ | I3+ | V3- | FE |
| DVP04AD-E2 (4AI) | | | | | | | | | | | |
| 24V | 0V | \oplus | FE | V4+ | I4+ | V4- | FE | | | | |

Electrical Specifications

| Analog / Digital module (04A/D) | |
|----------------------------------|---|
| Power supply voltage | 24VDC (20.4VDC ~ 28.8VDC) (-15% ~ +20%) |
| Max. rated power consumption | 1W, supplied by external power source |
| Connector | European standard removable terminal block (Pin pitch: 5mm) |
| Operation/storage temperature | Operation: 0°C~55°C (temperature), 50~95% (humidity), Pollution degree2 Storage: -25°C~70°C (temperature), 5~95% (humidity) |
| Vibration/shock immunity | International standards: IEC61131-2, IEC 68-2-6 (TEST Fc)/ IEC61131-2 & IEC 68-2-27 (TEST Ea) |
| Series connection to DVP-PLC MPU | The modules are numbered from 0 to 7 automatically by their distance from MPU. Max. 8 modules are allowed to connect to MPU and will not occupy any digital I/O points. |

Functions Specifications

| Analog / Digital module | Voltage input | | Current input | | |
|-------------------------|--------------------------|----------|---------------|----------|----------|
| Analog input channel | 4 channels / each module | | | | |
| Range of analog input | \pm 10V | \pm 5V | \pm 20mA | 0 ~ 20mA | 4 ~ 20mA |

| Analog / Digital module | Voltage input | | Current input | | |
|---------------------------------|---|---------|---------------|--------------|--------------|
| Range of digital conversion | ±32,000 | ±32,000 | ±32,000 | 0 ~ 32,000 | 0 ~ 32,000 |
| Max./Min. range of digital data | ±32,384 | ±32,384 | ±32,384 | -384~+32,384 | -384~+32,384 |
| Hardware Resolution | 14 bits | 14 bits | 14 bits | 13 bits | 13 bits |
| Input impedance | ≥ 1MΩ | | 250Ω | | |
| Range of absolute input | ±15V | | ±32mA | | |
| Overall accuracy | ±0.5% when in full scale (25°C, 77°F) ±1% when in full scale within the range of 0 ~ 55°C (32 ~ 131°F) | | | | |
| Response time | 400 μs / each channel | | | | |
| Digital data format | 2's complement of 16 bits | | | | |
| Average function | Supported. Available for setting up sampling range in CR#8 ~ CR#11. Range: K1 ~ K100. | | | | |
| Self-diagnosis | Upper and lower bound detection in all channels | | | | |
| Isolation method | Optical coupler isolation between digital circuits and analog circuits. No isolation among analog channels. 500VDC between digital circuits and Ground 500VDC between analog circuits and Ground 500VDC between analog circuits and digital circuits 500VDC between 24VDC and Ground | | | | |

■ Control Register

| CR# | Attrib. | | Register name | Explanation | |
|-----|---------|-----|-------------------------|---|--|
| #0 | O | R | Model name | Set up by the system: DVP04AD-E2 model code = H'0080 | |
| #1 | O | R | Firmware version | Display the current firmware version in hex. | |
| #2 | O | R/W | CH1 input mode setting | Input mode: Default = H'0000. Take CH1 for example: Mode 0 (H'0000): Voltage input (±10V) Mode 1 (H'0001): Voltage input (±5V) Mode 2 (H'0002): Voltage input (0 ~ +10V) Mode 3 (H'0003): Voltage input (0 ~ +5V) Mode 4 (H'0004): Current input (±20mA) Mode 5 (H'0005): Current input (0 ~ +20mA) Mode 6 (H'0006): Current input (+4~ +20mA) Mode -1 (H'FFFF): Channel 1 unavailable | |
| #3 | O | R/W | CH2 input mode setting | | |
| #4 | O | R/W | CH3 input mode setting | | |
| #5 | O | R/W | CH4 input mode setting | | |
| #8 | O | R/W | CH1 sampling range | | Set sampling range in CH1 ~ CH4: Range = K1 ~ K100 Default = K10 |
| #9 | O | R/W | CH2 sampling range | | |
| #10 | O | R/W | CH3 sampling range | | |
| #11 | O | R/W | CH4 sampling range | | |
| #12 | X | R | CH1 average input value | Average value of input signals at CH1 ~ CH4 | |
| #13 | X | R | CH2 average input value | | |
| #14 | X | R | CH3 average input value | | |
| #15 | X | R | CH4 average input value | | |
| #20 | X | R | CH1 present input value | Present value of input signals at CH1 ~ CH4 | |
| #21 | X | R | CH2 present input value | | |
| #22 | X | R | CH3 present input value | | |
| #23 | X | R | CH4 present input value | | |

| CR# | Attrib. | Register name | Explanation |
|---|---------|--|---|
| #28 | O R/W | Adjusted Offset value of CH1 | Set the adjusted Offset value of CH1 ~ CH4. Default = K0 Definition of Offset in DVP04AD-E2: The corresponding voltage (current) input value when the digital output value = 0. |
| #29 | O R/W | Adjusted Offset value of CH2 | |
| #30 | O R/W | Adjusted Offset value of CH3 | |
| #31 | O R/W | Adjusted Offset value of CH4 | |
| #34 | O R/W | Adjusted Gain value of CH1 | Set the adjusted Gain value in CH1 ~ CH4. Default = K16,000 Definition of Gain in DVP04AD-E2: The corresponding voltage (current) input value when the digital output value = 16,000. |
| #35 | O R/W | Adjusted Gain value of CH2 | |
| #36 | O R/W | Adjusted Gain value of CH3 | |
| #37 | O R/W | Adjusted Gain value of CH4 | |
| #40 | O R/W | Function: Set value changing prohibited | Prohibit set value changing in CH1 ~ CH4. Default= H'0000. |
| #41 | X R/W | Function: Save all the set values | Save all the set values, Default =H'0000 |
| #42 | X R/W | Function: Return to default setting | Set all values to default setting, Default = H'0000 |
| #43 | X R | Error status | Register for storing all error status. Refer to table of error status for more information. |
| #100 | O R/W | Function: Enable/Disable limit detection | Enable/Disable the upper and lower bound detection function. Default= H'0000. |
| #101 | X R/W | Upper and lower bound status | Display the upper and lower bound value, Default =H'0000 |
| #102 | O R/W | Set value of CH1 upper bound | Set value of CH1~CH4 upper bound. Default = K32000. |
| #103 | O R/W | Set value of CH2 upper bound | |
| #104 | O R/W | Set value of CH3 upper bound | |
| #105 | O R/W | Set value of CH4 upper bound | |
| #108 | O R/W | Set value of CH1 lower bound | Set value of CH1~CH4 lower bound. Default = K-32000. |
| #109 | O R/W | Set value of CH2 lower bound | |
| #110 | O R/W | Set value of CH3 lower bound | |
| #111 | O R/W | Set value of CH4 lower bound | |
| <p>Symbols:</p> <p>O: When CR#41 is set to H'5678, the set value of CR will be saved.</p> <p>X: set value will not be saved.</p> <p>R: able to read data by using FROM instruction.</p> <p>W: able to write data by using TO instruction.</p> | | | |

※ CR#43: Error status value. See the table below:

| Description | | | | | |
|---|------------|-------------------------|-------|---------------|--|
| bit0 | K1 (H'1) | Power supply error | bit6 | K64 (H'40) | CH4 Conversion error |
| bit1 | K2 (H'2) | Hardware error | bit9 | K512(H'0200) | Mode setting error |
| bit2 | K4 (H'4) | Upper/lower bound error | bit10 | K1024(H'0400) | Sampling range error |
| bit3 | K8 (H'8) | CH1 Conversion error | bit11 | K2048(H'0800) | Upper / lower bound setting error |
| bit4 | K16 (H'10) | CH2 Conversion error | bit12 | K4096(H'1000) | Set value changing prohibited |
| bit5 | K32 (H'20) | CH3 Conversion error | bit13 | K8192(H'2000) | Communication breakdown on next module |
| <p>↗Note: Each error status is determined by the corresponding bit (b0 ~ b13) and there may be more than 2 errors occurring at the same time. 0 = normal; 1 = error</p> | | | | | |

■ Explanation on Special Registers D9900~D9999

When DVP-ES2 MPU is connected with modules, registers D9900~D9999 will be reserved for storing values from modules. You can apply MOV instruction to operate values in D9900~D9999.

When DVP-ES2 MPU is connected with DVP04AD-E2, the configuration of special registers is as below:

| Module #0 | Module #1 | Module #2 | Module #3 | Module #4 | Module #5 | Module #6 | Module #7 | Description |
|-----------|-----------|-----------|-----------|-----------|-----------|-----------|-----------|-------------------------|
| D1320 | D1321 | D1322 | D1323 | D1324 | D1325 | D1326 | D1327 | Model Code |
| D9900 | D9910 | D9920 | D9930 | D9940 | D9950 | D9960 | D9970 | CH1 average input value |
| D9901 | D9911 | D9921 | D9931 | D9941 | D9951 | D9961 | D9971 | CH2 average input value |
| D9902 | D9912 | D9922 | D9932 | D9942 | D9952 | D9962 | D9972 | CH3 average input value |
| D9903 | D9913 | D9923 | D9933 | D9943 | D9953 | D9963 | D9973 | CH4 average input value |

Note 1: D9900 ~ D9999 are average input values of CH1 ~ CH4 and the sampling range is K1 ~ K100. When the sampling range is set to K1, the values displayed in D9900~D9999 are current values. You can use: 1. ES_AIO Configuration Function of WPLSoft or 2. FROM/TO instructions (CR#8 ~ CR#11) to set the sampling range as K1.

■ Adjust A/D Conversion Curve

Users can adjust the conversion curves according to the actual needs by changing the Offset value (CR#28 ~ CR#31) and Gain value (CR#34 ~ CR#37).

Gain: The corresponding voltage/current input value when the digital output value = 16,000.

Offset: The corresponding voltage/current input value when the digital output value = 0.

- Equation for voltage input Mode0 / Mode2: $0.3125\text{mV} = 20\text{V}/64,000 = 10\text{V}/32,000$

$$Y = 16000 \times \left(\frac{X(V)}{10(V)} \times 32000 - \text{Offset} \right) / (\text{Gain} - \text{Offset})$$

Y=Digital output, X=Voltage input

- Equation for voltage input Mode1 / Mode3: $0.15625\text{mV} = 10\text{V}/64,000 = 5\text{V}/32,000$

$$Y = 16000 \times \left(\frac{X(V)}{5(V)} \times 32000 - \text{Offset} \right) / (\text{Gain} - \text{Offset})$$

Y=Digital output, X=Voltage input

- Equation for current input Mode4 / Mode5: $0.625\mu\text{A} = 40\text{mA}/64,000 = 20\text{mA}/32,000$

$$Y = 16000 \times \left(\frac{X(\text{mA})}{20(\text{mA})} \times 32000 - \text{Offset} \right) / (\text{Gain} - \text{Offset})$$

Y=Digital output, X=Current input

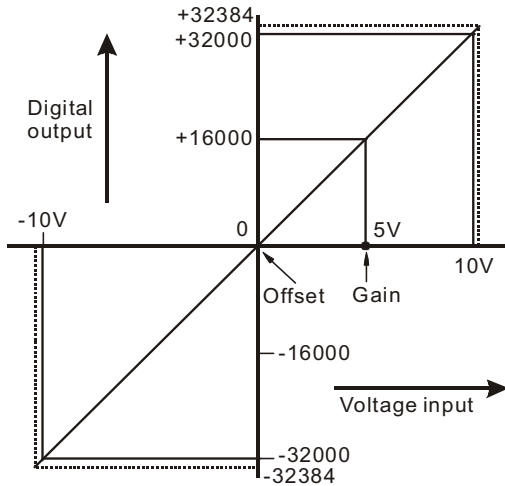
- Equation for current input Mode6: $0.5\mu\text{A} = 16\text{mA}/32,000$

Adopt the Equation of current input Mode4/Mode5, substitute Gain for 19200 (12mA) and Offset for 6400 (4mA)

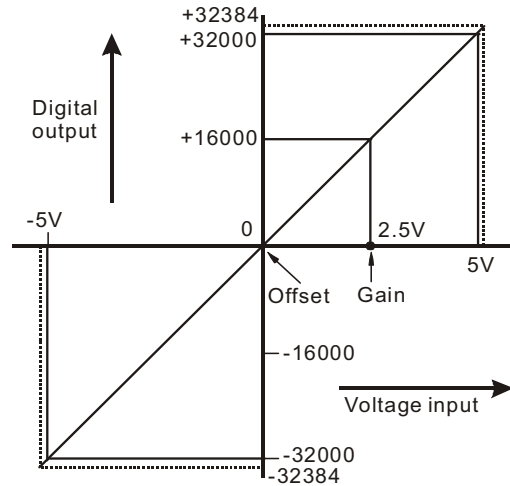
$$Y = 16000 \times \left(\frac{X(\text{mA})}{20(\text{mA})} \times 32000 - 6400 \right) / (19200 - 6400)$$

Y=Digital output, X=Current input

• Mode 0:

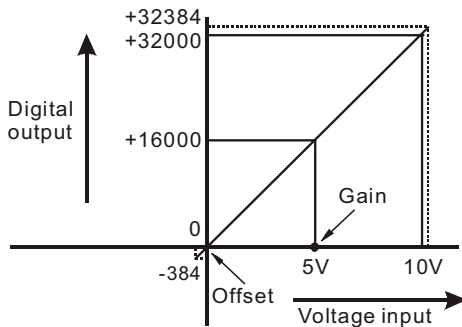


• Mode 1:

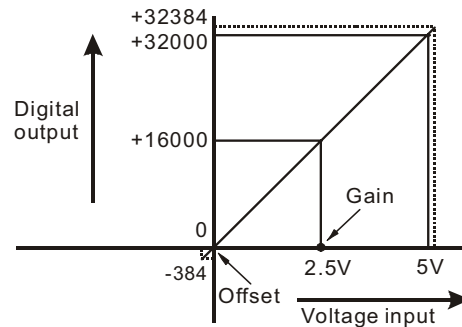


| | |
|---------------------------------------|--|
| Mode 0 of CR#2 ~ CR#5 | -10V ~ +10V , Gain = 5V (16,000) , Offset = 0V (0) |
| Mode 1 of CR#2 ~ CR#5 | -5V ~ +5V , Gain = 2.5V (16,000), Offset = 0V (0) |
| Range of digital conversion | -32,000 ~ +32,000 |
| Max./Min. range of digital conversion | -32,384 ~ +32,384 |

• Mode 2:

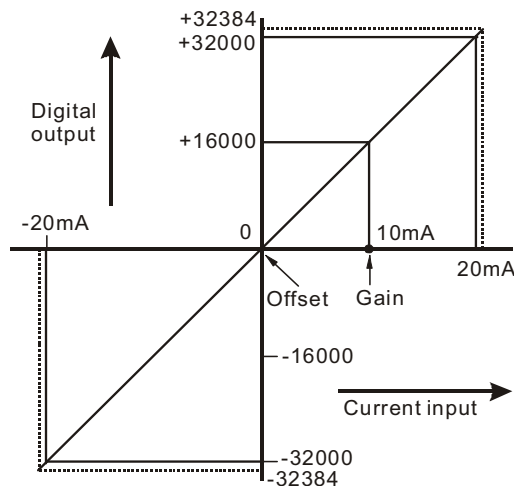


• Mode 3:



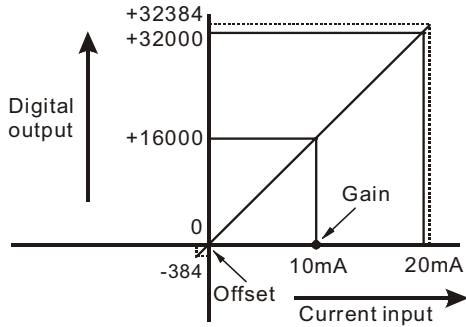
| | |
|---------------------------------------|---|
| Mode 2 of CR#2 ~ CR#5 | 0V ~ +10V, Gain = 5V (16,000), Offset = 0V (0) |
| Mode 3 of CR#2 ~ CR#5 | 0V ~ +5V, Gain = 2.5V (16,000), Offset = 0V (0) |
| Range of digital conversion | 0 ~ +32,000 |
| Max./Min. range of digital conversion | -384 ~ +32,384 |

• Mode 4:

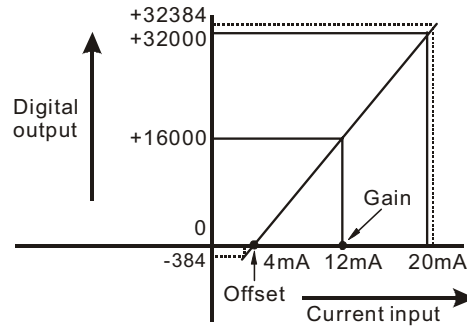


| | |
|---------------------------------------|---|
| Mode 4 of CR#2 ~ CR#5 | -20mA ~ +20mA, Gain = 10mA (16,000), Offset = 0mA (0) |
| Range of digital conversion | -32,000 ~ +32,000 |
| Max./Min. range of digital conversion | -32,384 ~ +32,384 |

• Mode 5:



• Mode 6:

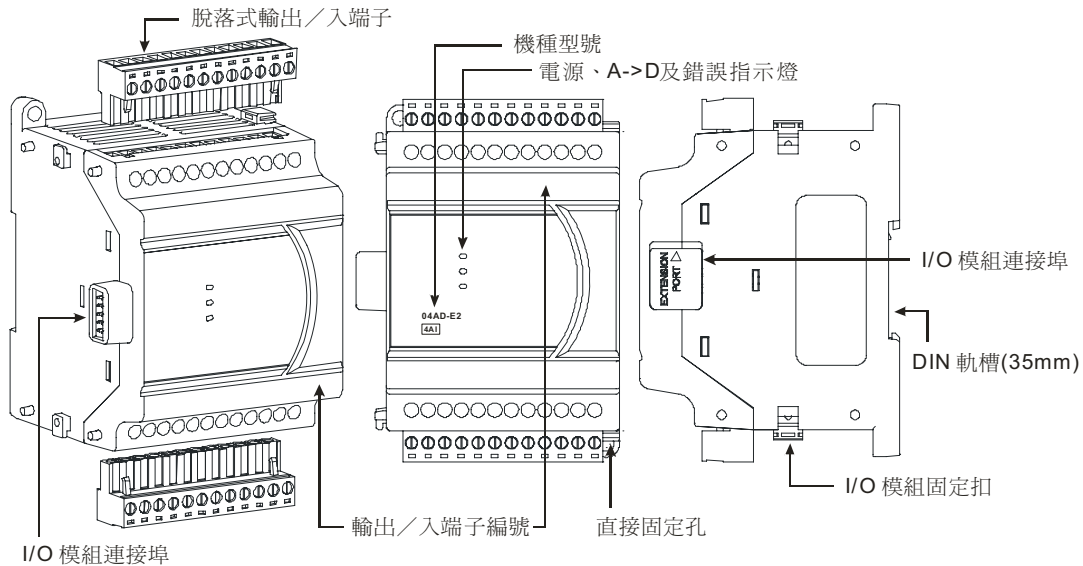


| | |
|---------------------------------------|--|
| Mode 5 of CR#2 ~ CR#5 | 0mA ~ +20mA, Gain = 10mA (16,000), Offset = 0mA (0) |
| Mode 6 of CR#2 ~ CR#5 | +4mA ~ +20mA, Gain = 12mA (19,200), Offset = 4mA (6,400) |
| Range of digital conversion | 0 ~ +32,000 |
| Max./Min. range of digital conversion | -384 ~ +32,384 |

感謝您採用台達 DVP 系列產品。DVP04AD-E2 類比輸入模組接受外部 4 點類比信號輸入 (電壓或電流皆可)，將之轉換成 16 位元之數位信號。使用者可經由配線選擇電壓輸入或電流輸入。並可透過主機以 FROM / TO 指令來讀寫模組內資料，或者以 MOV 指令直接讀取對應通道平均值(請參閱 D9900 ~ D9999 特殊暫存器使用說明)。

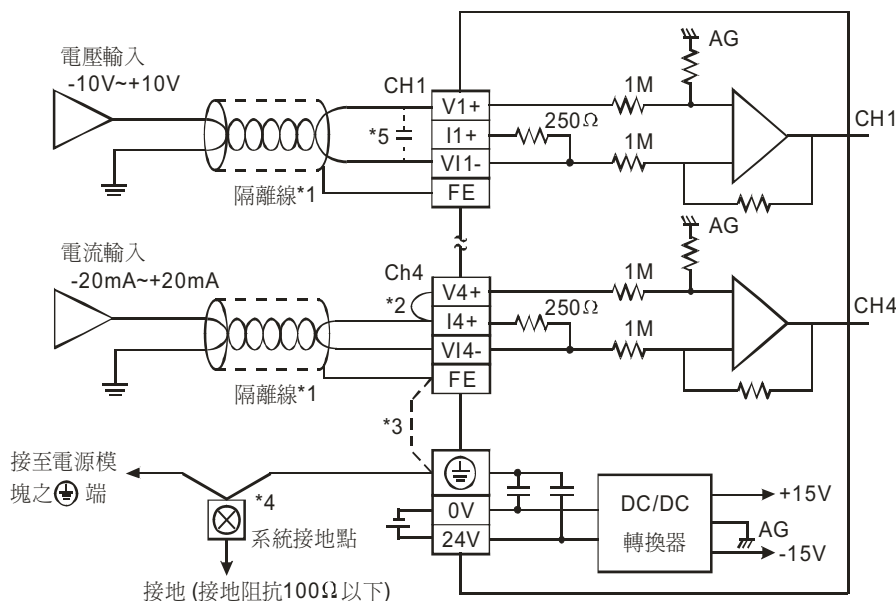
- ✧ 本安裝說明書提供給使用者電氣規格、功能規格、安裝配線之相關注意事項。其他詳細之程式設計及指令說明請見 DVP-ES2 操作手冊【模組篇】，選購之周邊裝置詳細說明請見該產品隨機安裝說明書。
- ✧ 本機為開放型 (OPEN TYPE) 機殼，因此使用者使用本機時，必須將之安裝於具防塵、防潮及免於電擊衝擊意外之外殼配線箱內。另必須具備保護措施 (如：特殊之工具或鑰匙才可打開) 防止非維護人員操作或意外衝擊本體，造成危險及損壞。
- ✧ 交流輸入電源不可連接於輸入出信號端，否則可能造成嚴重損壞，請在上電之前再次確認電源配線。請勿在上電時觸摸任何端子。本體上之接地端子 (⊕) 務必正確的接地，可提高產品抗雜訊能力。

■ 產品外觀尺寸與部位介紹



- 詳細尺寸圖請參閱英文版頁碼 1 之 Figure2，單位：mm。

■ 外部配線



註 1：類比輸入請與其他電源線隔離。

註 2：如果連接電流訊號時，V+ 及 I+ 端子請務必短路。

註 3：如果雜訊過大，請將 FE 及接地端子連接。

註 4：請將電源模組之⊕端及 AD 模擬量信號輸入模塊之⊕端連接到系統接地點，再將系統接點作第三種接地或接到配電箱之機殼上。

註 5：如果輸入電壓有漣波造成配線受雜訊干擾時，請連接 0.1 ~ 0.47μF 25V 之電容。

■ 輸入 / 輸出端子台配置

請參閱英文版頁碼 2 之端子配置圖，在此語言版本省略說明。

■ 電氣規格

| 類比/數位模組(04A/D) | |
|------------------|--|
| 電源電壓 | 24VDC (20.4VDC ~ 28.8VDC) (-15% ~ +20%) |
| 額定最大消耗功率 | 1W，由外部電源供應。 |
| 連接方式 | 脫落式歐式端子座 (端點距離：5mm) |
| 操作/儲存環境 | 操作：0°C ~ 55°C (溫度)，50 ~ 95% (濕度) 污染等級 2 儲存：-25°C ~ 70°C (溫度)，5 ~ 95% (濕度) |
| 耐振動 / 衝擊 | 國際標準規範 IEC61131-2，IEC 68-2-6 (TEST Fc) / IEC61131-2 & IEC 68-2-27 (TEST Ea) |
| 與 DVP-PLC 主機串接說明 | 模組編號以靠近主機之順序自動編號由 0 到 7，最大可連接 8 台且不佔用數位 I/O 點數。 |

■ 功能規格

| 類比/數位模組 | 電壓輸入 | | 電流輸入 | | |
|-----------|---|---------|---------|----------------|----------------|
| 類比訊號輸入通道 | 4 通道 / 台 | | | | |
| 類比輸入範圍 | ±10V | ±5V | ±20mA | 0 ~ 20mA | 4 ~ 20mA |
| 數位資料範圍 | ±32,000 | ±32,000 | ±32,000 | 0 ~ 32,000 | 0 ~ 32,000 |
| 數位資料範圍極限值 | ±32,384 | ±32,384 | ±32,384 | -384 ~ +32,384 | -384 ~ +32,384 |
| 硬體解析度 | 14 bits | 14 bits | 14 bits | 13 bits | 13 bits |
| 輸入阻抗 | ≥ 1MΩ | | 250Ω | | |
| 絕對輸入範圍 | ±15V | | ±32mA | | |
| 數位資料格式 | 16 位元二補數 | | | | |
| 平均功能 | 有，CR#8 ~ CR#11 可設定，設定範圍：K1 ~ K100 | | | | |
| 自我診斷功能 | 上下極限偵測 / 通道 | | | | |
| 總和精密度 | ±0.5% 在 (25°C, 77°F) 範圍內滿刻度時 ±1% 在 (0 ~ 55°C, 32 ~ 131°F) 範圍內滿刻度時 | | | | |
| 響應時間 | 400 μs / 每個通道 | | | | |
| 隔離方式 | 類比電路與數位電路之間，透過光耦隔離，類比通道間未隔離 數位電路與接地之間：500VDC 類比電路與接地之間：500VDC 類比電路與數位電路之間：500VDC 24VDC 與接地之間：500VDC | | | | |

■ 控制暫存器 CR

| CR# | 屬性 | | 暫存器名稱 | 說明 |
|-----|----|---|-------|-------------------------------|
| #0 | O | R | 機種型號 | 系統內定，DVP04AD-E2 機種代碼 = H'0080 |

| CR# | 屬性 | | 暫存器名稱 | 說明 |
|-------|----|-----|-----------------|---|
| #1 | O | R | 韌體版本 | 16 進制，顯示目前韌體版本 |
| #2 | O | R/W | CH1 輸入模式設定 | 輸出模式設定：出廠設定值 H'0000。以 CH1 說明： 模式 0 (H'0000)：電壓輸入 (±10V) 模式 1 (H'0001)：電壓輸入 (±5V) 模式 2 (H'0002)：電壓輸入 (0V ~ +10V) 模式 3 (H'0003)：電壓輸入 (0V ~ +5V) 模式 4 (H'0004)：電流輸入 (±20mA) 模式 5 (H'0005)：電流輸入 (0mA ~ +20mA) 模式 6 (H'0006)：電流輸入 (4mA ~ +20mA) 模式-1 (H'FFFF)：關閉 CH1 不使用 |
| #3 | O | R/W | CH2 輸入模式設定 | |
| #4 | O | R/W | CH3 輸入模式設定 | |
| #5 | O | R/W | CH4 輸入模式設定 | |
| #8 | O | R/W | CH1 平均次數 | |
| #9 | O | R/W | CH2 平均次數 | 通道 CH1 ~ CH4 訊號的平均次數設定： 設定範圍 K1 ~ K100 出廠設定值 K10 |
| #10 | O | R/W | CH3 平均次數 | |
| #11 | O | R/W | CH4 平均次數 | |
| #12 | X | R | CH1 輸入信號平均值 | |
| #13 | X | R | CH2 輸入信號平均值 | 通道 CH1 ~ CH4 輸入信號平均值顯示 |
| #14 | X | R | CH3 輸入信號平均值 | |
| #15 | X | R | CH4 輸入信號平均值 | |
| #20 | X | R | CH1 輸入信號現在值 | |
| #21 | X | R | CH2 輸入信號現在值 | 通道 CH1 ~ CH4 輸入信號現在值顯示 |
| #22 | X | R | CH3 輸入信號現在值 | |
| #23 | X | R | CH4 輸入信號現在值 | |
| #28 | O | R/W | CH1 微調 Offset 值 | |
| #29 | O | R/W | CH2 微調 Offset 值 | 通道 CH1 ~ CH4 訊號的 Offset 設定，出廠設定值 K0 Offset 定義： 當數位輸入值為 0 時的電壓(電流)輸出值 |
| #30 | O | R/W | CH3 微調 Offset 值 | |
| #31 | O | R/W | CH4 微調 Offset 值 | |
| #34 | O | R/W | CH1 微調 Gain 值 | |
| #35 | O | R/W | CH2 微調 Gain 值 | 通道 CH1 ~ CH4 訊號的 Gain 設定，出廠設定值 K16,000 Gain 定義： 當數位輸入值為 16,000 時的電壓(電流)輸出值 |
| #36 | O | R/W | CH3 微調 Gain 值 | |
| #37 | O | R/W | CH4 微調 Gain 值 | |
| #40 | O | R/W | 禁止設定值變更 | |
| #41 | X | R/W | 儲存所有設定值 | 儲存保持參數的設定值，出廠設定值 H'0000 |
| #42 | X | R/W | 恢復出廠設定 | 恢復出廠設定，出廠設定值 H'0000 |
| #43 | X | R | 錯誤狀態 | 儲存所有錯誤狀態的資料暫存器 |
| #100 | O | R/W | 上下限偵測致能/禁能 | 上下限偵測功能致能/禁能，出廠設定值 H'0000 |
| #101 | X | R/W | 上下限值狀態 | 上下限值狀態顯示，出廠設定值 H'0000 |
| #102 | O | R/W | CH1 上限設定值 | CH1 ~ CH4 上限值設定，出廠設定值 K32000 |
| #103 | O | R/W | CH2 上限設定值 | |
| #104 | O | R/W | CH3 上限設定值 | |
| #105 | O | R/W | CH4 上限設定值 | |
| #108 | O | R/W | CH1 下限設定值 | CH1 ~ CH4 下限值設定，出廠設定值 K-32000 |
| #109 | O | R/W | CH2 下限設定值 | |
| #110 | O | R/W | CH3 下限設定值 | |
| #111 | O | R/W | CH4 下限設定值 | |
| 符號定義： | | | | |

| CR# | 屬性 | 暫存器名稱 | 說明 |
|--------------------------------------|----|-------|----|
| O 表示為保持型，當 CR#41 設定為 H'5678 時會將資料保存。 | | | |
| X 表示為非保持型。 | | | |
| R 表示為可使用 FROM 指令讀取資料。 | | | |
| W 表示為可使用 TO 指令寫入資料。 | | | |

※ CR#43 錯誤狀態表：

| 說 明 | | | | | |
|--|------------|---------------|-------|---------------|-----------|
| bit0 | K1 (H'1) | 電源異常 | bit6 | K64 (H'40) | CH4 轉換值異常 |
| bit1 | K2 (H'2) | 硬體故障 | bit9 | K512(H'0200) | 模式設定錯誤 |
| bit2 | K4 (H'4) | 轉換值超出所設定的上下限值 | bit10 | K1024(H'0400) | 平均次數設定錯誤 |
| bit3 | K8 (H'8) | CH1 轉換值異常 | bit11 | K2048(H'0800) | 上下限值設定錯誤 |
| bit4 | K16 (H'10) | CH2 轉換值異常 | bit12 | K4096(H'1000) | 設定值禁止變更 |
| bit5 | K32 (H'20) | CH3 轉換值異常 | bit13 | K8192(H'2000) | 下級模組斷線 |
| 註：每個錯誤狀態由相對應之位元 b0 ~ b13 決定，有可能會同時產生兩個以上之錯誤狀態，0 代表正常無錯誤，1 代表有錯誤狀態產生。 | | | | | |

■ 特殊暫存器 D9900 ~ D9999 使用說明

DVP-ES2 主機連接特殊模組時，暫存器 D9900 ~ D9999 將被佔用，使用者可利用 MOV 指令在程式中指定 D9900 ~ D9999 來運算。

DVP-ES2 主機連接 DVP04AD-E2 時，特殊暫存器的分配如下：

| 第 1 台 | 第 2 台 | 第 3 台 | 第 4 台 | 第 5 台 | 第 6 台 | 第 7 台 | 第 8 台 | 說明 |
|-------|-------|-------|-------|-------|-------|-------|-------|-------------|
| D1320 | D1321 | D1322 | D1323 | D1324 | D1325 | D1326 | D1327 | 連線特殊模組機種代碼 |
| D9900 | D9910 | D9920 | D9930 | D9940 | D9950 | D9960 | D9970 | CH1 輸入信號平均值 |
| D9901 | D9911 | D9921 | D9931 | D9941 | D9951 | D9961 | D9971 | CH2 輸入信號平均值 |
| D9902 | D9912 | D9922 | D9932 | D9942 | D9952 | D9962 | D9972 | CH3 輸入信號平均值 |
| D9903 | D9913 | D9923 | D9933 | D9943 | D9953 | D9963 | D9973 | CH4 輸入信號平均值 |

※ 輸入信號平均值暫存器為讀出專用，請勿在程序中修改。若要利用 D9900 ~ D9999 讀取通道輸入現在值，可利用 WPLSoft 或 FROM/TO 指令將平均次數 (CR#8 ~ CR#11) 設定為 1。

■ 調整 A/D 轉換特性曲線

使用者可依實際應用需要來調整轉換特性曲線，調整時以改變 Offset 值(CR#28 ~ CR#31) 及 Gain 值(CR#34 ~ CR#37)來進行。

Gain 定義：當數位輸出值為 16,000 時的電壓(電流)輸入值。

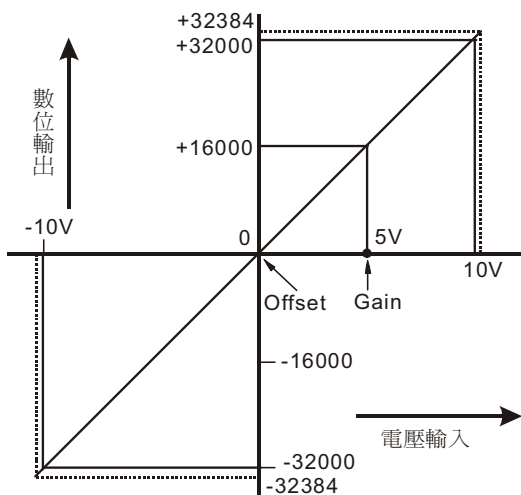
Offset 定義：當數位輸出值為 0 時的電壓(電流)輸入值。

- 電壓輸入模式 0 / 模式 2 公式： $0.3125\text{mV} = 20\text{V}/64,000 = 10\text{V}/32,000$
- 電壓輸入模式 1 / 模式 3 公式： $0.15625\text{mV} = 10\text{V}/64,000 = 5\text{V}/32,000$
- 電流輸入模式 4 / 模式 5 公式： $0.625\mu\text{A} = 40\text{mA}/64,000 = 20\text{mA}/32,000$
- 電流輸入模式 6 公式： $0.5\mu\text{A} = 16\text{mA}/32,000$

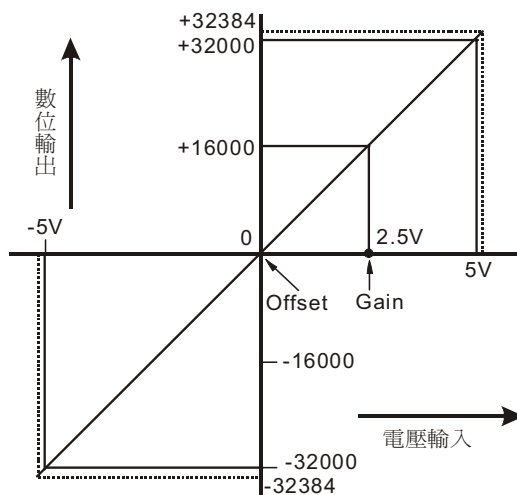
由上列電流輸入模式 4 / 模式 5 之公式推算，將 Gain = 12mA (19,200)，Offset = 4mA (6,400)帶入公式。

詳細公式請參閱英文版頁碼 5 之定義，在此語言版本省略說明。

• 模式 0 :

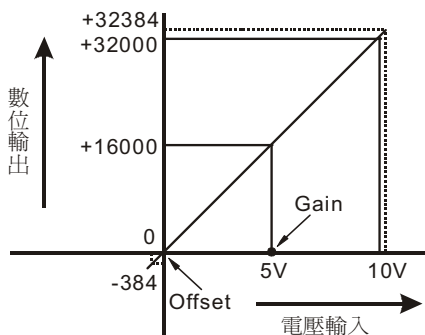


• 模式 1 :

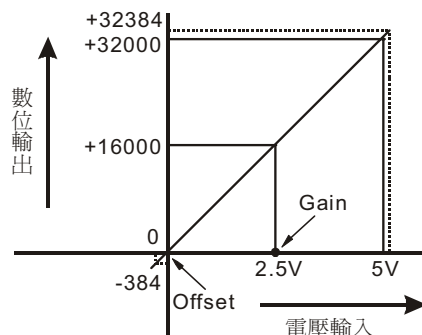


| | |
|--------------------|--|
| 模式 0 (CR#2 ~ CR#5) | -10V ~ +10V , Gain = 5V (16,000) , Offset = 0V (0) |
| 模式 1 (CR#2 ~ CR#5) | -5V ~ +5V , Gain = 2.5V (16,000) , Offset = 0V (0) |
| 數位資料範圍 | -32,000 ~ +32,000 |
| 數位資料範圍極限值 | -32,384 ~ +32,384 |

• 模式 2

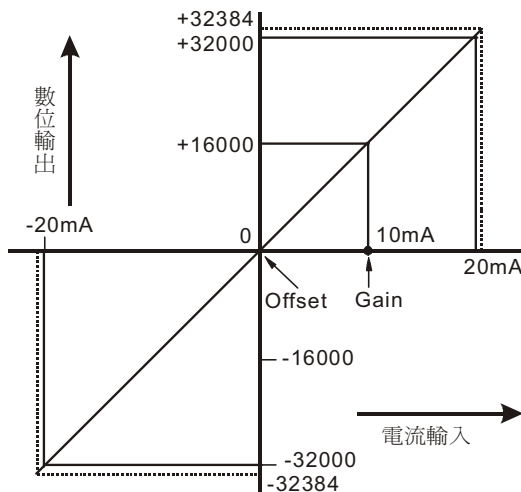


• 模式 3



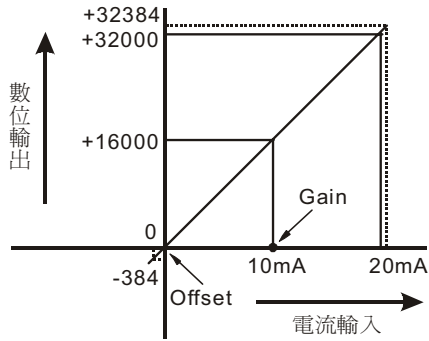
| | |
|--------------------|---|
| 模式 2 (CR#2 ~ CR#5) | 0V ~ +10V , Gain = 5V (16,000) , Offset = 0V (0) |
| 模式 3 (CR#2 ~ CR#5) | 0V ~ +5V , Gain = 2.5V (16,000) , Offset = 0V (0) |
| 數位資料範圍 | 0 ~ +32,000 |
| 數位資料範圍極限值 | -384 ~ +32,384 |

• 模式 4 :

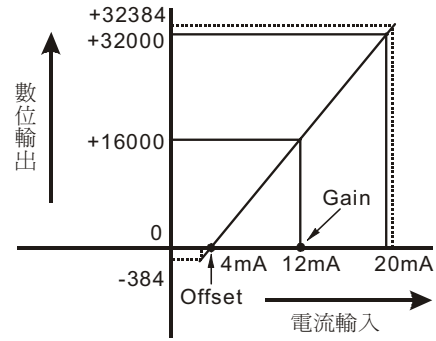


| | |
|--------------------|---|
| 模式 4 (CR#2 ~ CR#5) | -20mA ~ +20mA , Gain = 10mA (16,000) , Offset = 0mA (0) |
| 數位資料範圍 | -32,000 ~ +32,000 |
| 數位資料範圍極限值 | -32,384 ~ +32,384 |

• 模式 5 :



• 模式 6 :

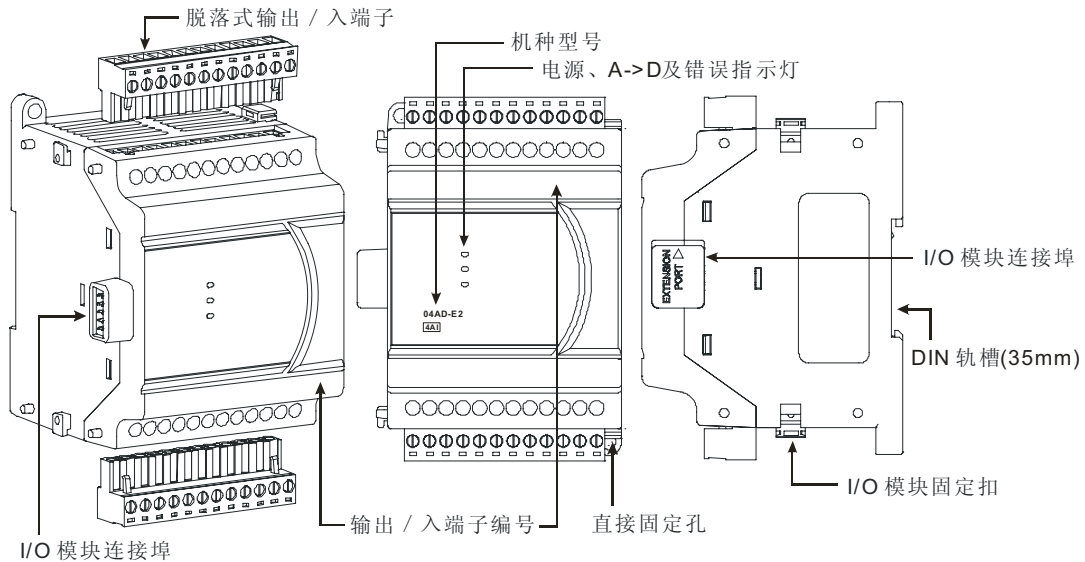


| | |
|--------------------|--|
| 模式 5 (CR#2 ~ CR#5) | 0mA ~ +20mA , Gain = 10mA (16,000) , Offset = 0mA (0) |
| 模式 6 (CR#2 ~ CR#5) | +4mA ~ +20mA , Gain = 12mA (19,200) , Offset = 4mA (6,400) |
| 數位資料範圍 | 0 ~ +32,000 |
| 數位資料範圍極限值 | -384 ~ +32,384 |

感谢您采用台达 DVP 系列产品。DVP04AD-E2 模拟量输入模块接受外部 4 点模拟量信号输入 (电压或电流皆可)，将之转换成 16 位的数字量信号。使用者可经由配线选择电压输入或电流输入。并可透过主机以 FROM / TO 指令来读写模块内数据，或者以 MOV 指令直接读取对应通道平均值(请参阅 D9900 ~ D9999 特殊寄存器使用说明)。

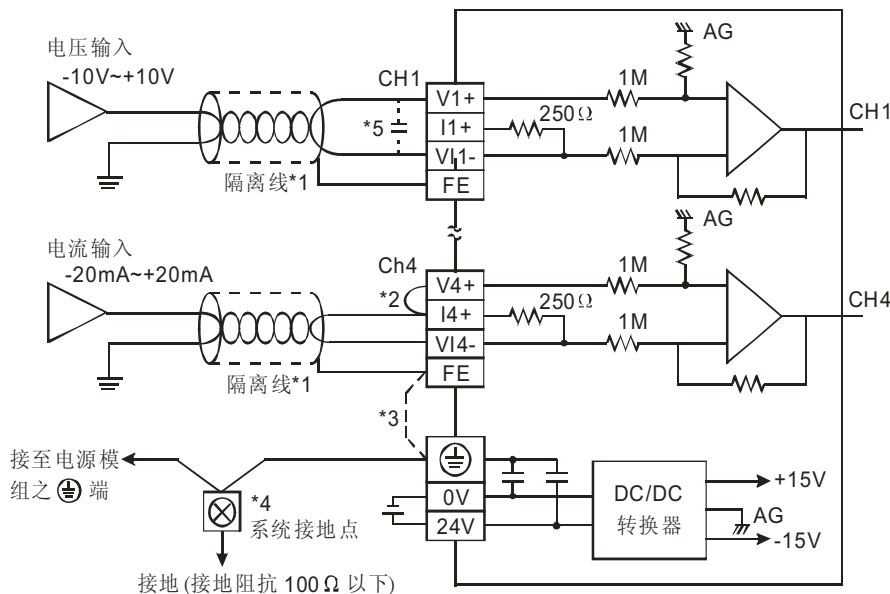
- ✎ 本安装说明书提供给使用者电气规格、功能规格、安装配线的相关注意事项。其它详细之程序设计及指令说明请见 DVP-ES2 操作手册【模块篇】，选购的周边装置详细说明请见该产品随机安装说明书。
- ✎ 本机为开放型 (OPEN TYPE) 机壳，因此使用者使用本机时，必须将其安装于具防尘、防潮及免于电击/冲击意外的外壳配线箱内。另必须具备保护措施（如：特殊的工具或钥匙才可打开）防止非维护人员操作或意外冲击本体，造成危险及损坏。
- ✎ 交流输入电源不可连接于输入/出信号端，否则可能造成严重损坏，请在上电之前再次确认电源配线。请勿在上电时触摸任何端子。本体上的接地端子 ⊕ 务必正确的接地，可提高产品抗干扰能力。

■ 产品外观尺寸与部位介绍



- 详细尺寸图请参阅英文版页码 1 之 Figure2，单位：mm。

■ 外部配线



注 1：模拟量输入请与其它电源线隔离。

注 2: 如果连接电流讯号时, V+ 及 I+ 端子请务必短路。

注 3: 如果干扰过大, 请将 FE 及接地端子连接。

注 4: 请将电源模块的⊕端及 AD 模拟量输入模块的⊕端连接到系统接地点, 再将系统接点作第三种接地或接到配电箱的机壳上。

注 5: 如果输入电压有涟波造成配线受干扰时, 请连接 0.1 ~ 0.47μF 25V 的电容。

■ 输入 / 输出端子台配置

请参阅英文版页码 2 的端子配置图, 在此语言版本省略说明。

■ 电气规格

| 模拟量 / 数字量模块 (04A/D) | |
|---------------------|--|
| 电源电压 | 24VDC (20.4VDC ~ 28.8VDC) (-15% ~ +20%) |
| 额定最大消耗功率 | 1W, 由外部电源供应。 |
| 连接方式 | 脱落式欧式端子座 (端点距离: 5mm) |
| 操作 / 储存环境 | 操作: 0°C ~ 55°C (温度), 50 ~ 95% (湿度) 污染等级 2 储存: -25°C ~ 70°C (温度), 5 ~ 95% (湿度) |
| 耐振动 / 冲击 | 国际标准规范 IEC61131-2, IEC 68-2-6 (TEST Fc) / IEC61131-2 & IEC 68-2-27 (TEST Ea) |
| 与 DVP-PLC 主机串接说明 | 模块编号以靠近主机的顺序自动编号由 0 到 7, 最大可连接 8 台且不占用数字量 I/O 点数。 |

■ 功能规格

| 模拟量 / 数字量模块 | 电压输入 | | 电流输出 | | |
|-------------|--|---------|---------|--------------|--------------|
| 模拟量讯号输入通道 | 4 通道 / 台 | | | | |
| 模拟量输入范围 | ±10V | ±5V | ±20mA | 0 ~ 20mA | 4 ~ 20mA |
| 数字量数据范围 | ±32,000 | ±32,000 | ±32,000 | 0 ~ 32,000 | 0 ~ 32,000 |
| 数字量数据范围极限值 | ±32,384 | ±32,384 | ±32,384 | -384~+32,384 | -384~+32,384 |
| 硬件分辨率 | 14 bits | 14 bits | 14 bits | 13 bits | 13 bits |
| 输入阻抗 | ≥ 1MΩ | | 250Ω | | |
| 绝对输入范围 | ±15V | | ±32mA | | |
| 数字量数据格式 | 16 位二补码 | | | | |
| 平均功能 | 有, CR#8 ~ CR#11 可设定, 设定范围: K1 ~ K100 | | | | |
| 自我诊断功能 | 上下极限侦测 / 通道 | | | | |
| 总和精密度 | ±0.5% 在 (25°C, 77°F) 范围内满刻度时 ±1% 在 (0 ~ 55°C, 32 ~ 131°F) 范围内满刻度时 | | | | |
| 响应时间 | 400 μs / 每个通道 | | | | |
| 隔离方式 | 模拟量电路与数字量电路之间, 透过光耦隔离, 模拟量通道间未隔离 数字量电路与接地之间: 500VDC 模拟量电路与接地之间: 500VDC 模拟量电路与数字量电路之间: 500VDC 24VDC 与接地之间: 500VDC | | | | |

■ 控制寄存器 CR

| CR# | 属性 | | 寄存器名称 | 说明 |
|-----|----|---|-------|--------------------------------|
| #0 | O | R | 机种型号 | 系统内定, DVP04AD-E2 机种代码 = H'0080 |

| CR# | 属性 | | 寄存器名称 | 说明 |
|-------|----|-----|-----------------|---|
| #1 | O | R | 韧体版本 | 16 进制, 显示目前韧体版本 |
| #2 | O | R/W | CH1 输入模式设定 | 输出模式设定: 出厂设定值 H'0000。以 CH1 说明: 模式 0 (H'0000): 电压输入 ($\pm 10V$) 模式 1 (H'0001): 电压输入 ($\pm 5V$) 模式 2 (H'0002): 电压输入 ($0V \sim +10V$) 模式 3 (H'0003): 电压输入 ($0V \sim +5V$) 模式 4 (H'0004): 电流输入 ($\pm 20mA$) 模式 5 (H'0005): 电流输入 ($0mA \sim +20mA$) 模式 6 (H'0006): 电流输入 ($4mA \sim +20mA$) 模式-1 (H'FFFF): 关闭 CH1 不使用 |
| #3 | O | R/W | CH2 输入模式设定 | |
| #4 | O | R/W | CH3 输入模式设定 | |
| #5 | O | R/W | CH4 输入模式设定 | |
| #8 | O | R/W | CH1 平均次数 | |
| #9 | O | R/W | CH2 平均次数 | |
| #10 | O | R/W | CH3 平均次数 | 通道 CH1 ~ CH4 讯号的平均次数设定: 设定范围 K1 ~ K100 出厂设定值 K10 |
| #11 | O | R/W | CH4 平均次数 | |
| #12 | X | R | CH1 输入信号平均值 | |
| #13 | X | R | CH2 输入信号平均值 | |
| #14 | X | R | CH3 输入信号平均值 | 通道 CH1 ~ CH4 输入信号平均值显示 |
| #15 | X | R | CH4 输入信号平均值 | |
| #20 | X | R | CH1 输入信号现在值 | |
| #21 | X | R | CH2 输入信号现在值 | |
| #22 | X | R | CH3 输入信号现在值 | 通道 CH1 ~ CH4 输入信号现在值显示 |
| #23 | X | R | CH4 输入信号现在值 | |
| #28 | O | R/W | CH1 微调 Offset 值 | |
| #29 | O | R/W | CH2 微调 Offset 值 | |
| #30 | O | R/W | CH3 微调 Offset 值 | 通道 CH1 ~ CH4 讯号的 Offset 设定, 出厂设定值 K0 Offset 定义: 当数字量输入值为 0 时的电压(电流)输出值 |
| #31 | O | R/W | CH4 微调 Offset 值 | |
| #34 | O | R/W | CH1 微调 Gain 值 | |
| #35 | O | R/W | CH2 微调 Gain 值 | |
| #36 | O | R/W | CH3 微调 Gain 值 | 通道 CH1 ~ CH4 讯号的 Gain 设定, 出厂设定值 K16,000 Gain 定义: 当数字量输入值为 16,000 时的电压(电流)输出值 |
| #37 | O | R/W | CH4 微调 Gain 值 | |
| #40 | O | R/W | 禁止设定值变更 | |
| #41 | X | R/W | 储存所有设定值 | |
| #42 | X | R/W | 恢复出厂设定 | 恢复出厂设定, 出厂设定值 H'0000 |
| #43 | X | R | 错误状态 | 储存所有错误状态的数据寄存器, 详细内容请参照错误信息表 |
| #100 | O | R/W | 上下限侦测致能/禁能 | 上下限侦测功能致能/禁能, 出厂设定值 H'0000 |
| #101 | X | R/W | 上下限值状态 | 上下限值状态显示, 出厂设定值 H'0000 |
| #102 | O | R/W | CH1 上限设定值 | CH1 ~ CH4 上限值设定, 出厂设定值 K32000 |
| #103 | O | R/W | CH2 上限设定值 | |
| #104 | O | R/W | CH3 上限设定值 | |
| #105 | O | R/W | CH4 上限设定值 | |
| #108 | O | R/W | CH1 下限设定值 | CH1 ~ CH4 下限值设定, 出厂设定值 K-32000 |
| #109 | O | R/W | CH2 下限设定值 | |
| #110 | O | R/W | CH3 下限设定值 | |
| #111 | O | R/W | CH4 下限设定值 | |
| 符号定义: | | | | |

| CR# | 属性 | 寄存器名称 | 说明 |
|--------------------------------------|----|-------|----|
| O 表示为保持型，当 CR#41 设定为 H'5678 时会将数据保存。 | | | |
| X 表示为非保持型。 | | | |
| R 表示为可使用 FROM 指令读取数据。 | | | |
| W 表示为可使用 TO 指令写入数据。 | | | |

※ CR#43 错误状态表:

| 说 明 | | | | | |
|---|------------|---------------|-------|---------------|-----------|
| bit0 | K1 (H'1) | 电源异常 | bit6 | K64 (H'40) | CH4 转换值异常 |
| bit1 | K2 (H'2) | 硬件故障 | bit9 | K512(H'0200) | 模式设定错误 |
| bit2 | K4 (H'4) | 转换值超出所设定的上下限值 | bit10 | K1024(H'0400) | 平均次数设定错误 |
| bit3 | K8 (H'8) | CH1 转换值异常 | bit11 | K2048(H'0800) | 上下限值设定错误 |
| bit4 | K16 (H'10) | CH2 转换值异常 | bit12 | K4096(H'1000) | 设定值禁止变更 |
| bit5 | K32 (H'20) | CH3 转换值异常 | bit13 | K8192(H'2000) | 下级模块断线 |
| 注: 每个错误状态由相对应之位 b0 ~ b13 决定, 有可能会同时产生两个以上之错误状态, 0 代表正常无错误, 1 代表有错误状态产生。 | | | | | |

■ 特殊寄存器 D9900 ~ D9999 使用说明

DVP-ES2 主机连接特殊 I/O 模块时, 寄存器 D9900 ~ D9999 将被占用, 使用者可利用 MOV 指令在程序中指定 D9900 ~ D9999 来运算。

DVP-ES2 主机连接 DVP04AD-E2 时, 特殊寄存器的分配如下:

| 第 1 台 | 第 2 台 | 第 3 台 | 第 4 台 | 第 5 台 | 第 6 台 | 第 7 台 | 第 8 台 | 说明 |
|-------|-------|-------|-------|-------|-------|-------|-------|-----------------|
| D1320 | D1321 | D1322 | D1323 | D1324 | D1325 | D1326 | D1327 | 联机特殊 I/O 模块机种代码 |
| D9900 | D9910 | D9920 | D9930 | D9940 | D9950 | D9960 | D9970 | CH1 输入信号平均值 |
| D9901 | D9911 | D9921 | D9931 | D9941 | D9951 | D9961 | D9971 | CH2 输入信号平均值 |
| D9902 | D9912 | D9922 | D9932 | D9942 | D9952 | D9962 | D9972 | CH3 输入信号平均值 |
| D9903 | D9913 | D9923 | D9933 | D9943 | D9953 | D9963 | D9973 | CH4 输入信号平均值 |

※ 输入信号平均值寄存器为读出专用, 请勿在程序中修改。若要利用 D9900 ~ D9999 读取通道输入现在值, 可利用 WPLSoft 或 FROM/TO 指令将平均次数 (CR#8 ~ CR#11) 设定为 1。

■ 调整 A/D 转换特性曲线

使用者可依实际需要来调整转换特性曲线, 调整时以改变 Offset 值(CR#28 ~ CR#31) 及 Gain 值(CR#34 ~ CR#37)来进行。

Gain 定义: 当数字量输出值为 16,000 时的电压(电流)输入值。

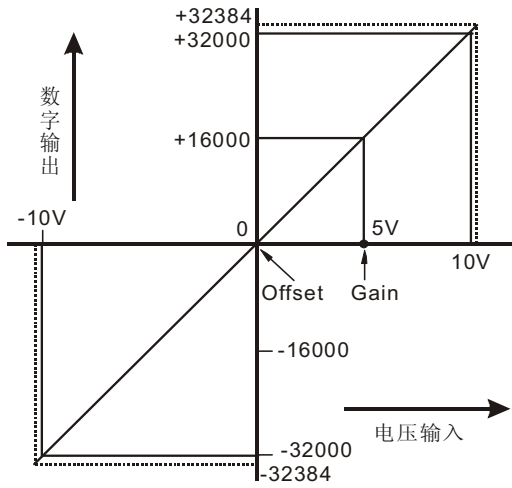
Offset 定义: 当数字量输出值为 0 时的电压(电流)输入值。

- 电压输入模式 0 / 模式 2 公式: $0.3125\text{mV} = 20\text{V}/64,000 = 10\text{V}/32,000$
- 电压输入模式 1 / 模式 3 公式: $0.15625\text{mV} = 10\text{V}/64,000 = 5\text{V}/32,000$
- 电流输入模式 4 / 模式 5 公式: $0.625\mu\text{A} = 40\text{mA}/64,000 = 20\text{mA}/32,000$
- 电流输入模式 6 公式: $0.5\mu\text{A} = 16\text{mA}/32,000$

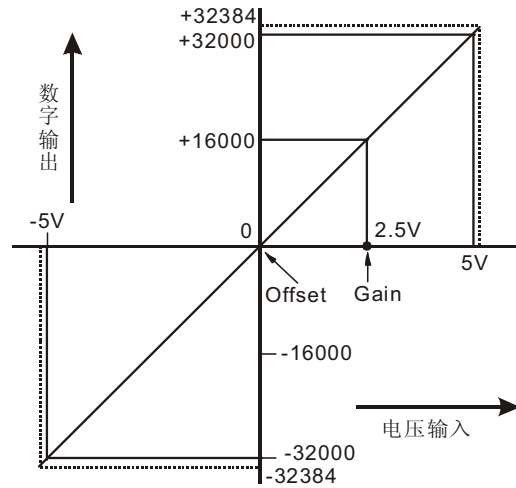
由上列电流输入模式 4 / 模式 5 之公式推算, 将 Gain = 12mA (19,200), Offset = 4mA (6,400) 带入公式。

详细公式请参阅英文版页码 5 之定义，在此语言版本省略说明。

• 模式 0:

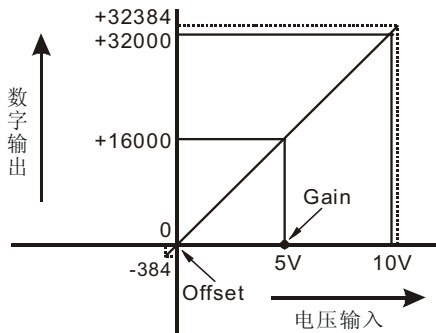


• 模式 1:

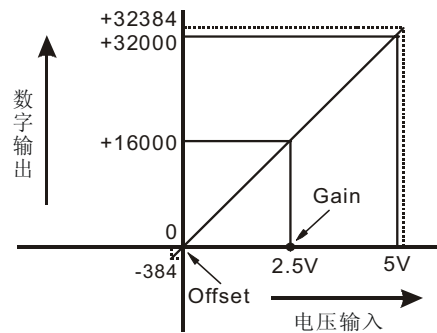


| | |
|--------------------|--|
| 模式 0 (CR#2 ~ CR#5) | -10V ~ +10V, Gain = 5V (16,000), Offset = 0V (0) |
| 模式 1 (CR#2 ~ CR#5) | -5V ~ +5V, Gain = 2.5V (16,000), Offset = 0V (0) |
| 数字量数据范围 | -32,000 ~ +32,000 |
| 数字量数据范围极限值 | -32,384 ~ +32,384 |

• 模式 2:

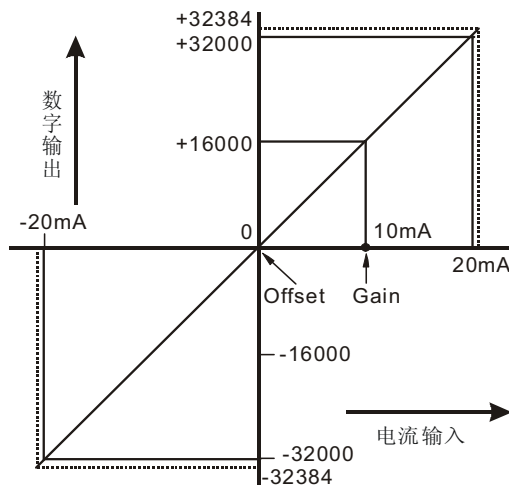


• 模式 3:



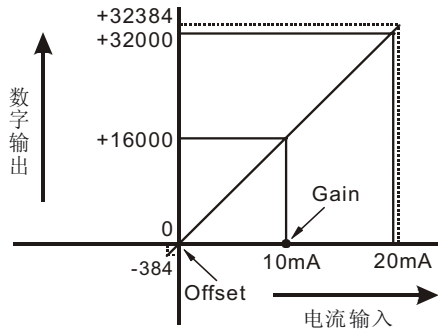
| | |
|--------------------|---|
| 模式 2 (CR#2 ~ CR#5) | 0V ~ +10V, Gain = 5V (16,000), Offset = 0V (0) |
| 模式 3 (CR#2 ~ CR#5) | 0V ~ +5V, Gain = 2.5V (16,000), Offset = 0V (0) |
| 数字量数据范围 | 0 ~ +32,000 |
| 数字量数据范围极限值 | -384 ~ +32,384 |

• 模式 4:

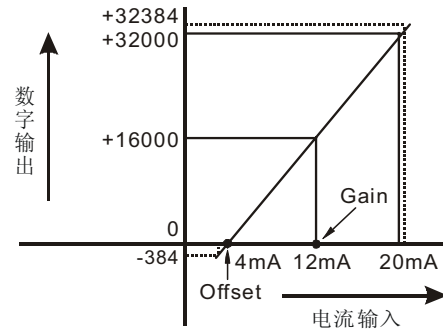


| | |
|--------------------|---|
| 模式 4 (CR#2 ~ CR#5) | -20mA ~ +20mA, Gain = 10mA (16,000), Offset = 0mA (0) |
| 数字量数据范围 | -32,000 ~ +32,000 |
| 数字量数据范围极限值 | -32,384 ~ +32,384 |

• 模式 5:



• 模式 6:



| | |
|--------------------|--|
| 模式 5 (CR#2 ~ CR#5) | 0mA ~ +20mA, Gain = 10mA (16,000), Offset = 0mA (0) |
| 模式 6 (CR#2 ~ CR#5) | +4mA ~ +20mA, Gain = 12mA (19,200), Offset = 4mA (6,400) |
| 数字量数据范围 | 0 ~ +32,000 |
| 数字量数据范围极限值 | -384 ~ +32,384 |